

Model L70GL

Round Damper • 7⁵/₈" Deep • Single Thickness Blade • Volume Control • Galvanized Steel

For use to 1 in. w.g. and 1500 FPM

STANDARD CONSTRUCTION

- FRAME:** 22 GA. galvanized steel, 7⁵/₈" deep with reinforcing ribs.
- BLADE:** 24 GA. galvanized steel.
- SHAFT:** 3/8" square aluminum, continuous length, with positive interlock to blade.

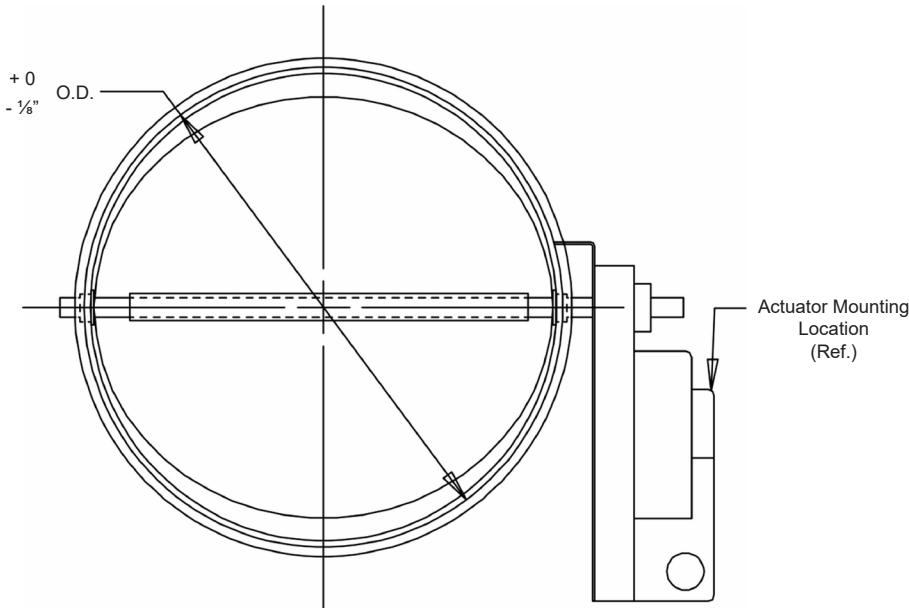
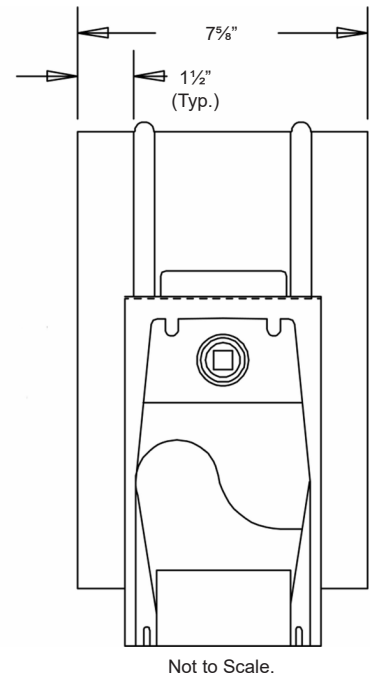
- BEARINGS:** Zytel plastic snap-in.
- ACTUATOR:** Honeywell 120 VAC or 24 VAC electric actuator, factory mounted.
- SEALS:** Neoprene blade seal on sleeve interior.
- TEMP LIMIT:** 250°F.
- FINISH:** Mill.

NOTES

1. Nominal deductions will be made to the opening size given.
2. Round dampers are available in 1" increments only.
3. This damper is designed for manual balancing applications.
4. Rolled rib frame provides greater reinforcement, ease of installation, and a sealing joint.
5. To calculate approximate shipping weight (lbs./in.), use the following formula:
Diameter (in.) × 0.45 (lbs./in.)

DAMPER SIZES

Min Dia.	Max Dia.
4" O.D.	16" O.D.



Item #	Qty	Damper Size O.D.	Tagging	Remarks		
				ECN:	Job:	
Arch. / Eng.:				EDR:		
Contractor:						
Project:				Date:	DWN:	DWG:



Union Made

In the interest of product development, Louvers & Dampers reserves the right to make changes without notice.

